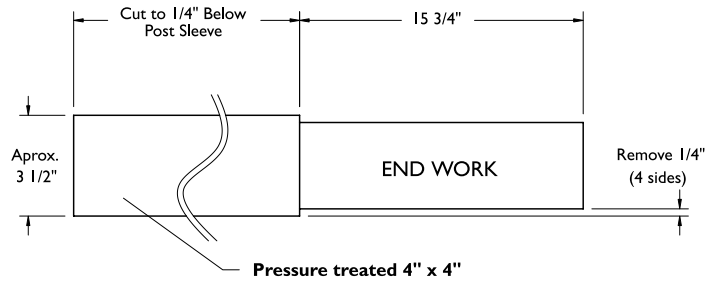


BRACKET PLACEMENT

1. Locate the Post Surface Mount Bracket.
2. Tolerances for 4" x 4" pressure treated post should be minimum 3 3/8" x 3 3/8" and max 3 9/16" x 3 9/16". Any pressure treated posts outside these specifications could result in improper installation.
3. Mark and drill four holes 3/8" x 4" deep to accept 3/8" x 3 3/4" Wedge Anchors.
4. Place the Surface Mount Bracket over the holes and secure to the surface using 3/8" x 3 3/4" Wedge Anchors.

MOUNTING THE POST

1. Insert the pressure treated 4 x 4 into the Post Sleeve ensuring end work fully seats down into the steel Surface Mount Bracket.
2. Slide Post Sleeve over installed Surface Mount Bracket.
3. Mark Rail Kit bracket holes on Post Sleeve as per Rail instructions.
4. Drill 1/4" holes through Post Sleeve and Surface Mount Bracket.
DO NOT DRILL INTO PT 4 x 4.
5. Install Post Skirt.
6. Reset Railing Section and install as per Railing Installation Instructions.

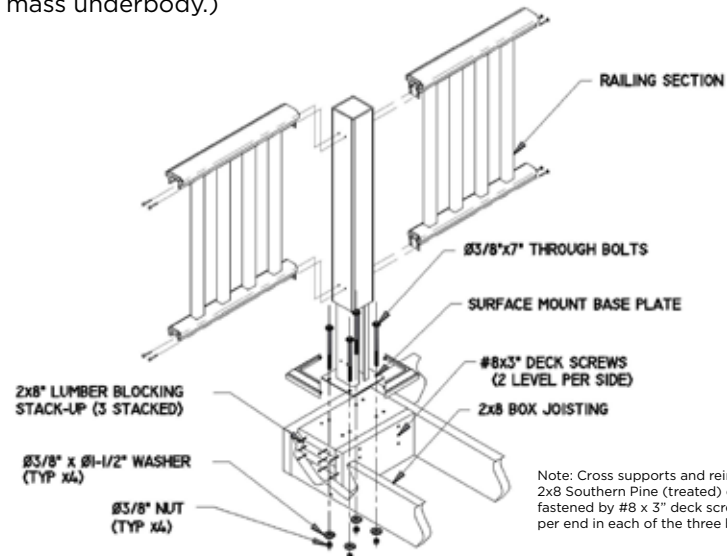


* End Work is to fit inside Surface Mount Bracket *

PRODUCTS	BILL OF MATERIALS
(A) Surface Mount Bracket Kit	1 - Box 1 - Steel galvanized Surface Mount Bracket 4 - 3/8" x 4" wedge anchor 1 - PVC Post Skirt 1 - Instruction sheet
(B) Surface Mount Bracket	1 - Box 1 - Steel galvanized Surface mount Bracket 1 - Instruction sheet

PRESSURE TREATED 4x4 END WORK

1. Cut Pressure Treated 4x4 1/4" shorter than Post Sleeve.
 2. Trim 4 sides of Pressure Treated 4x4 to fit into Surface Mount Bracket.
 3. Slide Pressure Treated 4x4 into Surface Mount Bracket.
- Note: Wedge anchors are for concrete installation ONLY. For installation to wood surface refer to local building code. (Recommended: Use minimum 3/8" x 5" lag bolts into solid wood mass underbody.)



Note: Cross supports and reinforcements shown are 2x8 Southern Pine (treated) or approved equivalent, fastened by #8 x 3" deck screws (3 per side and 3 per end in each of the three block members).

